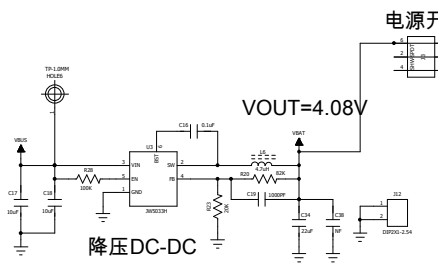


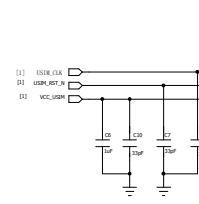
USB



电源开关

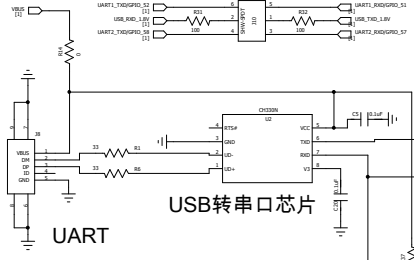
降压DC-DC

VOUT=4.08V



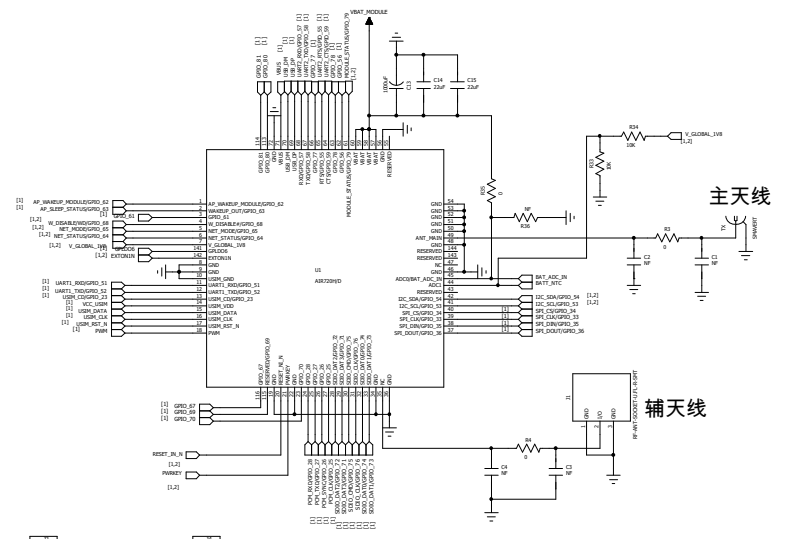
SIM卡座

串口选择开关



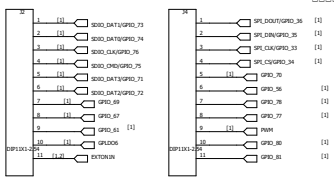
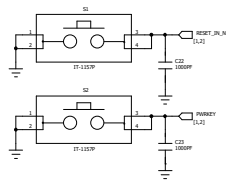
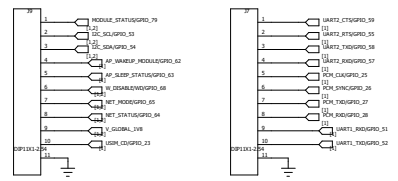
USB转串口芯片

UART

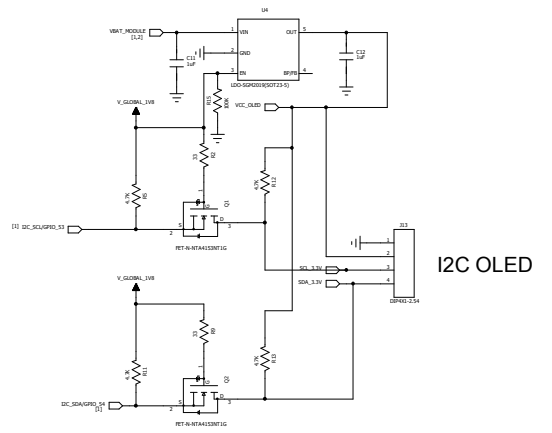
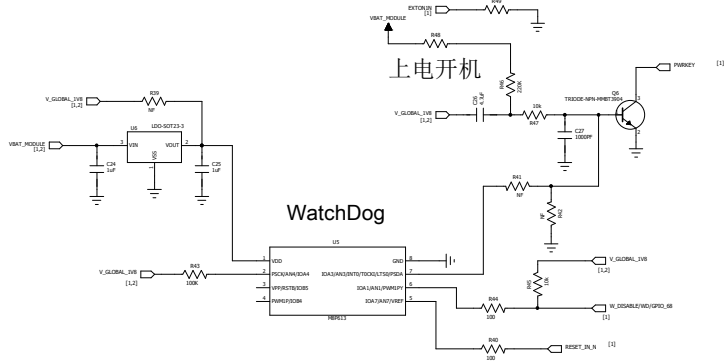


主天线

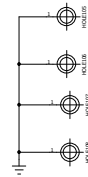
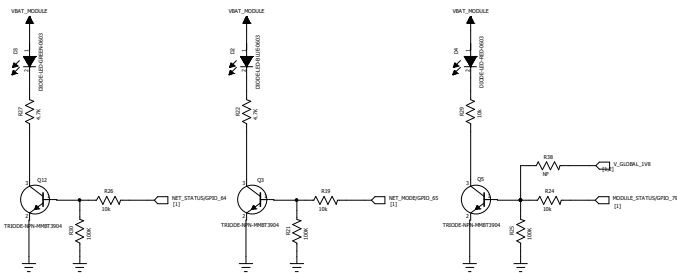
辅天线



TITLE:	EVB_Air720	REV:	All
DOCUMENT NO.:	MODULE	SIZE:	A2
DEPARTMENT:	Hardware DEPT.		
CORPORATE:	AirM2M		
DESIGNER:	Luokanghua	Last Saved Date:	2010/1/20
		SHEET:	1 OF 2



指示灯



TITLE:	EVB_Air720	REV:	All
DOCUMENT NO.:	WATCHDOG	SIZE:	A2
DEPARTMENT:	Hardware DEPT.		
COMPANY:	AirM2M		
DESIGNER:	Luokanghua	Last Saved Date:	2018/1/20
		SHEET:	2 OF 2